

# Specification for approval

<b>Description(产品类型):</b>	<b>Current Transformer</b>
<b>Customer p/n (客户):</b>	
<b>ZETTLER p/n (赛特勒):</b>	<b>XZM-CT25005</b>
<b>Revision(版本号):</b>	<b>A0</b>
<b>Page(页数):</b>	<b>3</b>

**Drafted(制作): Liu Yang**

**Checked(审核): Joe Ji**

**Approved(确认):He Zongnian**



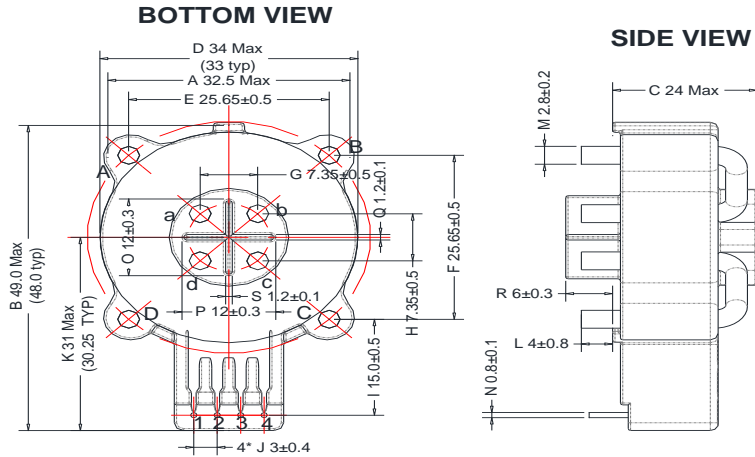
Rev.	Date	Description	Drafted

**Approved by customer (客户确认) :** \_\_\_\_\_

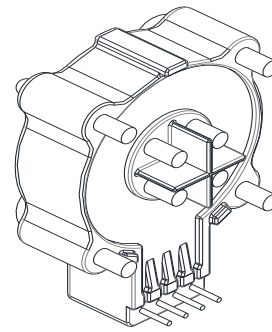
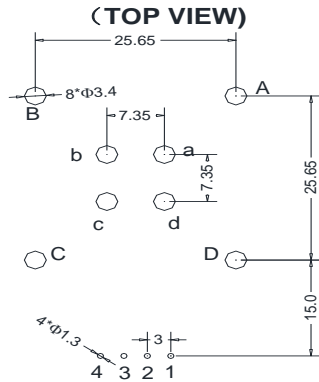
Friendly Reminder: Please help to sign this Spec when approve , and fax to our company .Or else, we will consider you have accepted it and make future order based on this Spec.

友情提示:请在签字确认后,按封面的传真号码回传给赛特勒磁电有限公司.如无回传,则视为默认,后续的相关订单将以按本承认书的规定为技术要求.

## 1. OUTLINE DRAWING(外形图): Unit(单位): mm (毫米)



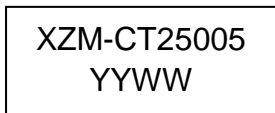
### Recommended Footprint Details



### NOTES(注):

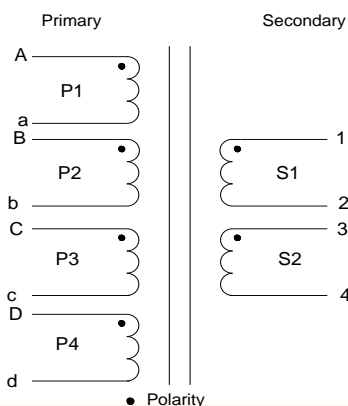
- ◆PCB drill hole is recommended to be 1.3mm and 3.4mm (建议 PCB 板开孔孔径 1.3mm and 3.4mm)
- ◆If PIN layout and footprint have slightly deviation, please refers to actual PCB assembly, the ones can be normally inserted into PCB is qualified (PIN 距尺寸测量有偏差时, 以 PCB 下板实装确认, 可正常下板为合格)
- ◆The Pin length doesn't include the solder tip (PIN 脚长度不包括锡尖)

## 2. MARKING (标记图):



YY:Year/年  
WW:Week/周

## 3. SCHEMATIC(原理图):



**4. ELECTRICAL SPECIFICATION(电气特性):****TEST TEMPERATURE(测试温度)@25±2℃:**

Item 项目	Terminal 端子	Specification 规格值	Test condition 测试条件
Turns Ratio 匝比	P1:P2:P3:P4:S1:S2	1:1:1:1:20:20	1KHz,0.3V SER
DCR 直流电阻(Ω)	1--2:3—4	400mΩ Max	Ta=25℃
Dielectric strength 绝缘耐压	P1-P2,P3,P4,S1,S2 P2-P3,P4,S1,S2 P3-P4,S1,S2 P4-S1,S2	2000V AC	1mA/50Hz/1s
	S1-S2	500V AC	1mA/50Hz/1s

**5. PRECAUTIONS FOR USE (产品使用注意事项):**

Operating Temperature range: -40℃ to +105℃(Temperature rise included)

Storage temperature range: -40℃ to +105℃

Resistance to solder heat:+260±5℃, 5±1Sec

Primary-to-primary creepage and clearance: 4.0mm Min

Primary-to- secondary creepage and clearance: 8mm Min